

Installation Instructions for Stand Alone Rubber Interface

Before you start....

Use a continuous rail throughout the crossing, grind welds flush, remove all rail anchors, sweep rail free of any debris and ensure spikes are fully seated onto rail base & tie plates.

Installation Procedure

- 1** Layout the Rubber Interface end to end and fasten together with Sure-Lock End Fasteners (Fig. 1)
- 2** Place Rubber Interface over Pandrol e-clips and against the rail head as shown (Fig. 2)
- 3** Seat Rubber Interface into rail by hitting them with a sledge hammer as shown (Fig. 2) until they are in the position shown (Fig. 3)
- 4** Cover slot for Sure-Lock end fasteners with duct tape (Fig. 4)

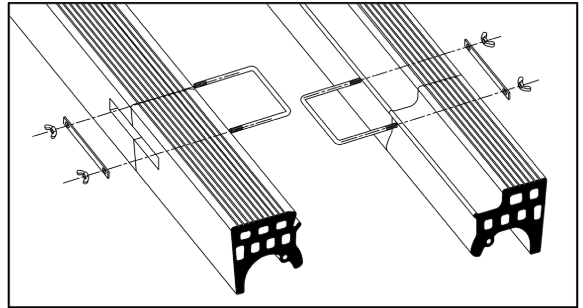


Figure 1

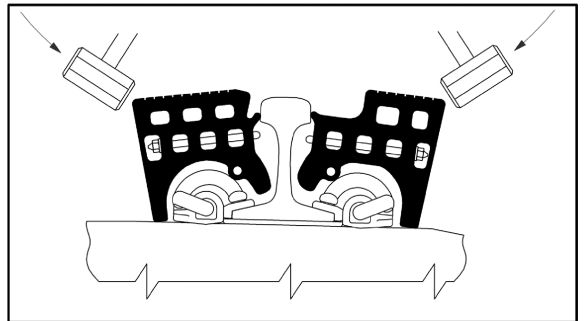


Figure 2

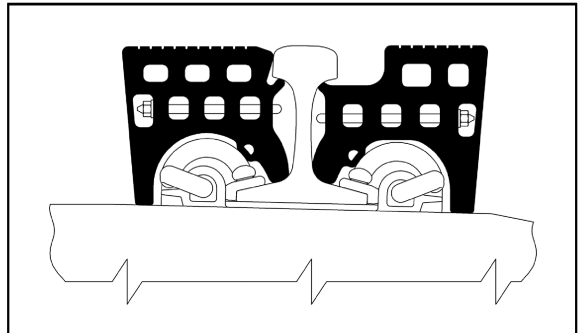


Figure 3

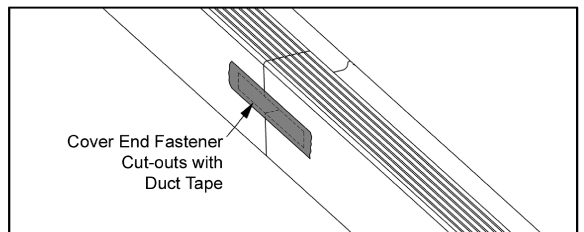


Figure 4

For Assistance Please Call:
Toll Free: 888-222-5968