

## Installation Instructions for PPI Railseal & Slider Clamp for Pandrol Roll Plate

### Before you start....

Use a continuous rail throughout the crossing, grind welds flush, sweep rail and tops of ties free of any debris.

### Installation Procedure

- 1 Layout the Railseal end to end and fasten with Sure-Lock end fasteners (Fig. 1)
- 2 Place and seat Railseal into web of rail with a sledge hammer (Fig. 2)
- 3 Slide clamp body under the rail from the gauge side (Fig. 3)
- 4 Cut a vertical slit in the tail of the field railseal to allow the hinged end of clamp to rotate to the position shown in figure 4
- 5 While applying pressure on the clamp from the gauge side, lift & rotate the hinged end on the field side into the recess on the field railseal (Fig. 4)
- 6 Hold field side and push sliding pipe under the rail (by hand) to hold clamp into position (Fig. 5)
- 7 Using a sledge hammer, tap sliding pipe towards the rail until it stops (Fig. 6)

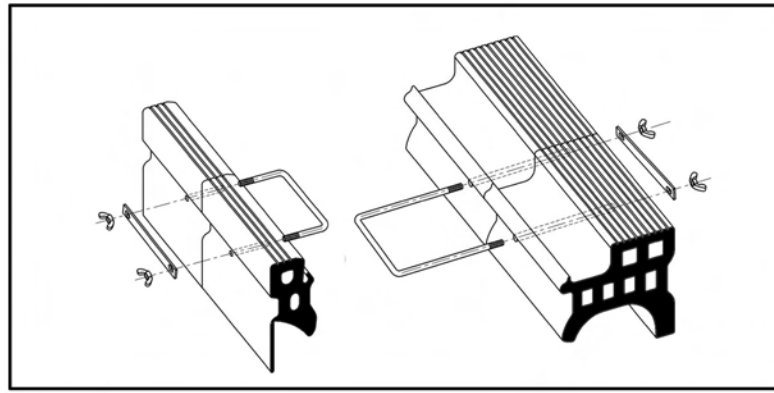


Figure 1

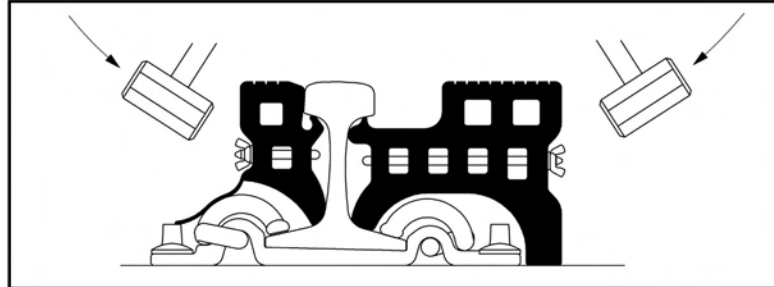


Figure 2

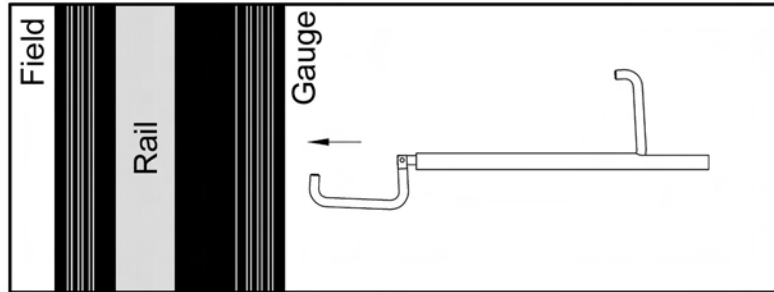


Figure 3

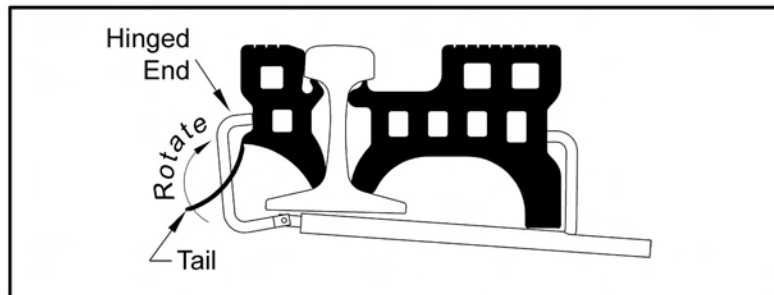


Figure 4

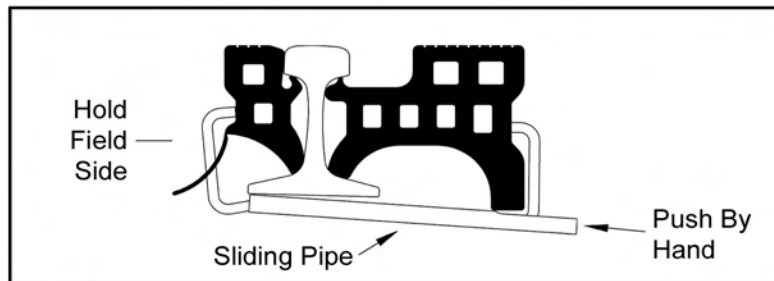


Figure 5

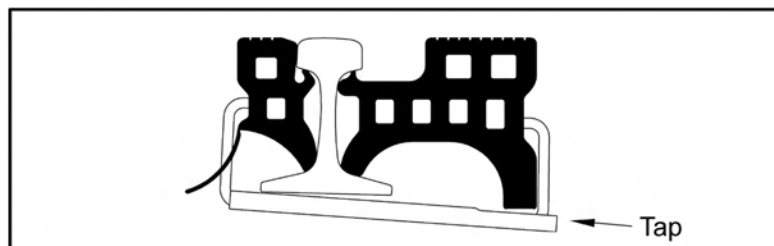


Figure 6

For Assistance Please Call:  
Toll Free: 888-222-5968