

Installation Instructions for PPI Railseal & Interclamp

Before you start....

Use a continuous rail throughout the crossing, grind welds flush, sweep rail and tops of ties free of any debris and ensure spikes are fully seated onto rail base & tie plates.

Installation Procedure

- 1** Place and seat Rubber Interface into web of rail with a sledge hammer (Fig. 1)
- 2** Fasten the Rubber Interface end to end with staples (Fig. 2)
- 3** Slide clamp body under the rail and slide clip onto body (Fig. 3)
- 4** Tap the ratcheting clip with a hammer until seated firmly into the railseal (Fig. 4)

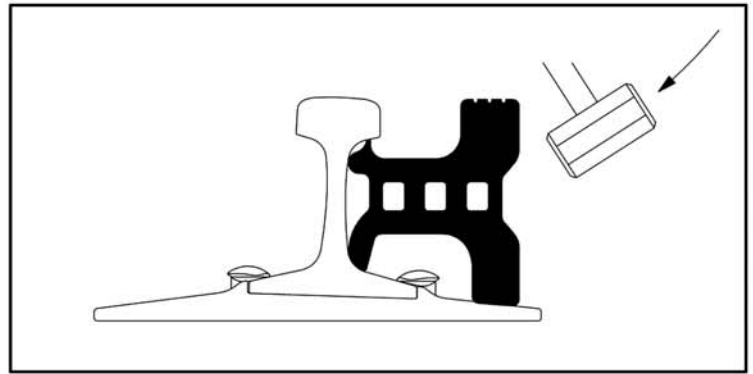


Figure 1

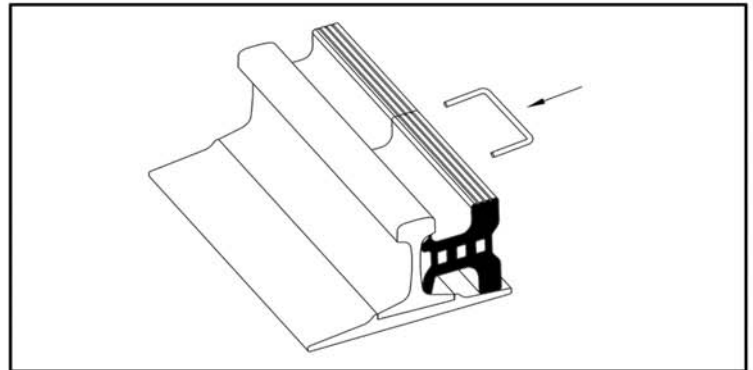


Figure 2

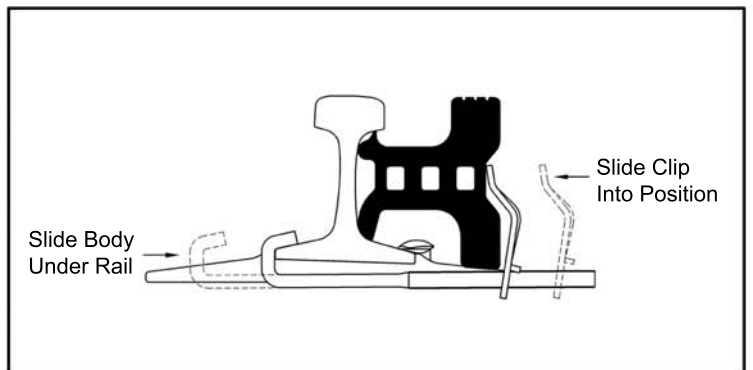


Figure 3

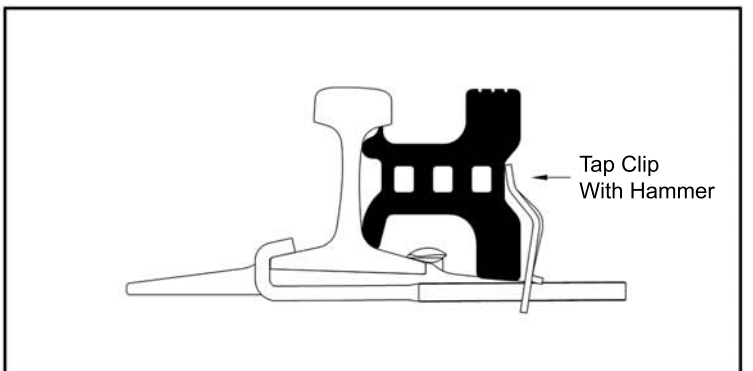


Figure 4

For Assistance Please Call:
Toll Free: 888-222-5968